

- >> Compact design
- >> High accuracy
- >> No moving parts
- >> Minimal pressure loss
- >> Not influenced by medium impurities, chemicals or magnetic interference
- >> Long battery life, more than 8 years
- >> Models for cold and hot water
- >> M-bus communication
- >> Optional Modbus communication



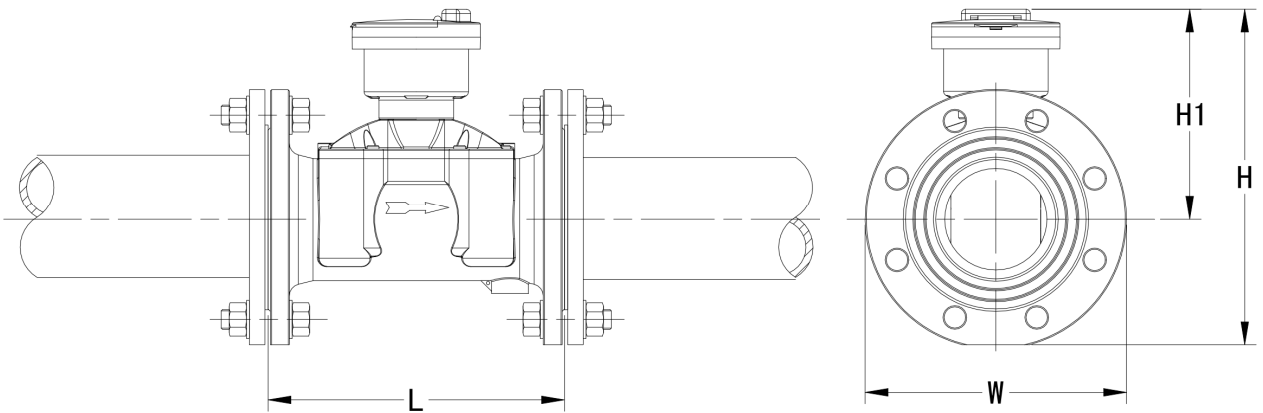
Ultrasonic water consumption metering

FX-USWM-DNxx-xx-M ultrasonic water meter is a flow-measuring equipment which uses transient time ultrasonic signal to continuously measure, record and display flow rate of the measuring medium. Ultrasonic water meters with flanged connection are available from DN50 pipe size with nominal flow of 25 m³/h up to DN300 pipe size and nominal flow of 1000 m³/h. Hot water meters can measure water up to 90 °C temperature. Smaller meters have external threaded screw connection. Meters come with M-bus communication. Optional standalone meters with pulse outputs and networked models with Modbus communication are available.

Technical features

Operating Temperature:	5° - 55°C
Measured Medium Temperature:	Cold water model: 0.1 - 50°C Hot water model: 0.1 - 90°C
Storing Temperature:	0 - 55°C
Operating Humidity:	<93%RH
Environmental class:	A Class or B Class
Accuracy class:	Class 2
Dynamic Range:	Q3/Q1=100
Enclosure protection:	IP65
Pressure loss:	<25kPa@qp (nominal flow)
Maximum admissible working pressure:	1.6MPa
Material:	Cast iron
Rated voltage:	3.65VDC
Battery working life:	More than 8 years
Installation:	Horizontal or vertical installing is available (read the detail installation instruction)
Straight pipe section:	Mount a straight pipe section up to 5D upstream the meter and a straight pipe section up to
Manufacturing Process:	ISO9001

Nominal diameter		DN50	DN65	DN80	DN100	DN125	DN150	DN200	DN250	DN300
Dimensions	L (length) mm	200	200	225	250	250	300	350	450	500
	W (width) mm	175	185	200	220	250	285	340	405	460
	H1 (center height) mm	150	158	175	181	199	217	246	272	320
	H (height) mm	235	248	264	287	320	355	410	452	550
Nominal flow rate Q ₃ (m ³ /h)		25	40	63	100	160	250	400	630	1000
Transition flow rate Q ₂ (m ³ /h)		0.4	0.64	1	1.6	2.6	4	6.4	10	16
Minimum flow rate Q ₁ (m ³ /h)		0.25	0.4	0.63	1	1.6	2.5	4	6.3	10
No of ultrasonic path		Two		Four						
Connection		Flange								
Accuracy class		Class 2		Environmental class		C	Environmental rating		A Class or B Class	
Dynamic range		Q ₃ /Q ₁ =100		Electromagnetic environment class		EI	Pressure loss		Δp63	
Pressure rating		MAP16, MAP10		Flow field sensitivity level		U5/ D3	Temperature rating		Cold T 50, Hot T90	



Part numbers

FX-USWM-DN50-25-M

FX-USWM-DN65-40-M

FX-USWM-DN80-63-M

FX-USWM-DN100-100-M

FX-USWM-DN125-160-M

FX-USWM-DN150-250-M

FX-USWM-DN200-400-M

FX-USWM-DN250-630-M

FX-USWM-DN300-1000-M

FX-USWM-DN50-25-H-M

FX-USWM-DN65-40-H-M

FX-USWM-DN80-63-H-M

FX-USWM-DN100-100-H-M

FX-USWM-DN125-160-H-M

FX-USWM-DN150-250-H-M

FX-USWM-DN200-400-H-M

FX-USWM-DN250-630-H-M

FX-USWM-DN300-1000-H-M

DN50, Nominal flow 25 m³/h, M-bus, Cold water

DN65, Nominal flow 40 m³/h, M-bus, Cold water

DN80, Nominal flow 63 m³/h, M-bus, Cold water

DN100, Nominal flow 100 m³/h, M-bus, Cold water

DN125, Nominal flow 160 m³/h, M-bus, Cold water

DN150, Nominal flow 250 m³/h, M-bus, Cold water

DN200, Nominal flow 400 m³/h, M-bus, Cold water

DN250, Nominal flow 630 m³/h, M-bus, Cold water

DN300, Nominal flow 1000 m³/h, M-bus, Cold water

DN50, Nominal flow 25 m³/h, M-bus, Hot water

DN65, Nominal flow 40 m³/h, M-bus, Hot water

DN80, Nominal flow 63 m³/h, M-bus, Hot water

DN100, Nominal flow 100 m³/h, M-bus, Hot water

DN125, Nominal flow 160 m³/h, M-bus, Hot water

DN150, Nominal flow 250 m³/h, M-bus, Hot water

DN200, Nominal flow 400 m³/h, M-bus, Hot water

DN250, Nominal flow 630 m³/h, M-bus, Hot water

DN300, Nominal flow 1000 m³/h, M-bus, Hot water

•Change -M ending to -MD ending to any type for Modbus or remove for standalone meter