

- »» Clear LCD display
- »» Temperature display $\pm 0,1\text{ }^{\circ}\text{C}$
- »» Temperature setpoint display and selection
0 $^{\circ}\text{C}$ – 99.5 $^{\circ}\text{C}$, $\pm 0,5\text{ }^{\circ}\text{C}$ (programmable)
- »» Adjustable Cooling and Heating modes
- »» Adjustable unoccupied setpoints
- »» On/Off button
- »» Easy to use
- »» Energy Saving Input (ESI)
- »» RS485 Modbus communication (optional)

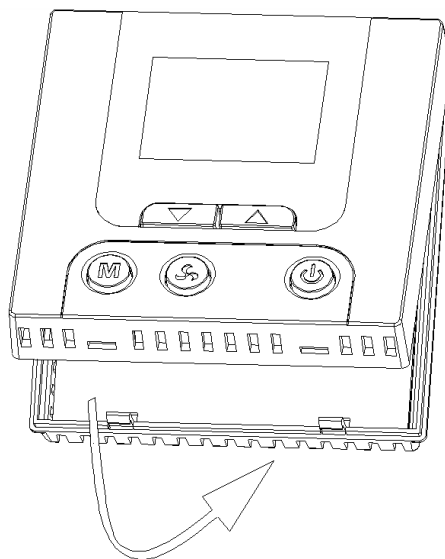
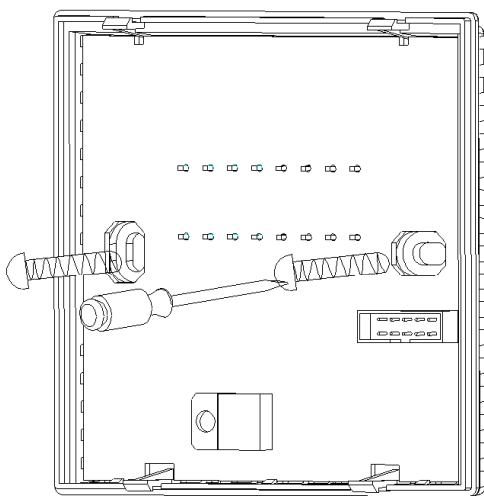
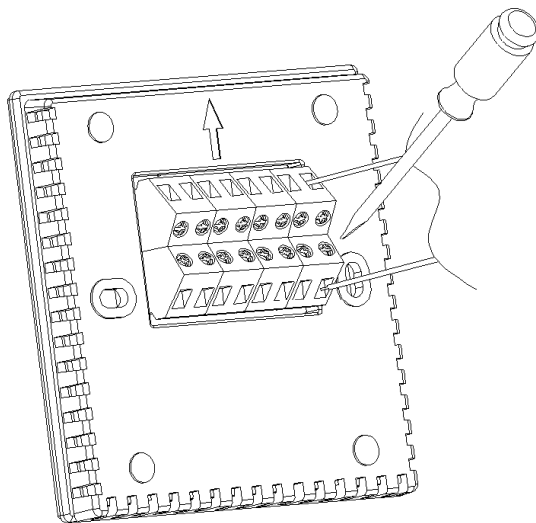
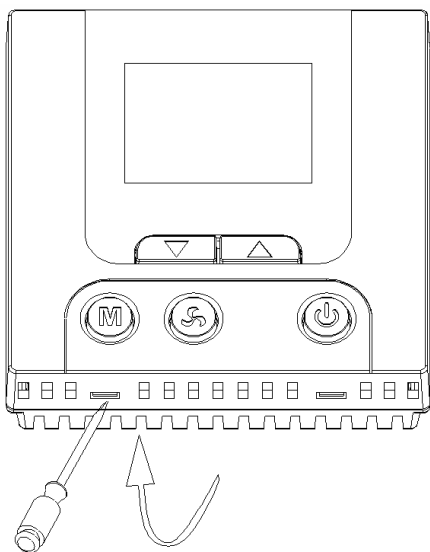
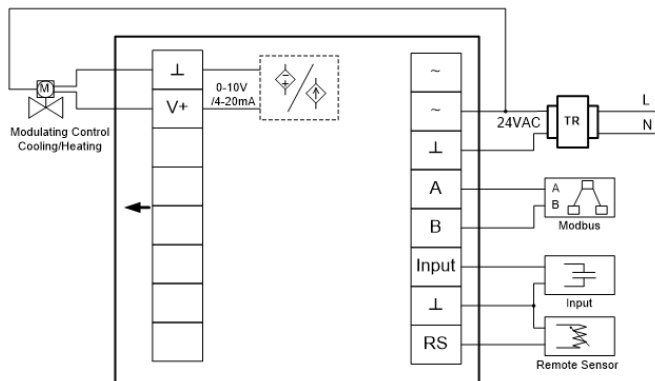


Stylish and accurate controls for VAV dampers

The FX-THR-VAV-24-CHM-MD-mir Thermostat is a micro-processor based PID controller with clear LCD display and very stylish looks. It is designed for controlling VAV dampers with modulating (0-10V) control signal. It has clear display, which shows set point, temperature and mode. The Thermostats provides RS-485 Communicating Interface and MODBUS protocol for system integration. The Thermostat can be controlled by local buttons manually or by the BMS system.

Technical features

Operating Voltage:	24Vac +/- 10%, 50/60Hz
Temperature Range:	0-99.5 $^{\circ}\text{C}$ adjustable
Setting Unit:	+/- 0.5 $^{\circ}\text{C}$
Display Accuracy:	+/- 0.1 $^{\circ}\text{C}$
Output:	Modulating 0-10V
System Adjust:	5-buttons for Power, Mode, Setpoint Up and Down
Mode Setting:	Heating, Cooling or Ventilating
Sensing Element:	NTC
Input Signal:	Dry Contact (NO)
Rated Power:	< 1W
Terminals:	0.5-2 sq. mm cable
Operating Temperature:	10-45 $^{\circ}\text{C}$
Operating Humidity:	5-90%
Storage Temperature:	-20-55 $^{\circ}\text{C}$
Dimensions:	86x86x23 (HxWxD)
Interface:	RS-485 (optional)
Protocol:	MODBUS RTU (optional)
Maximum Length:	1200 meters
Low Voltage Directive:	73/23/EEC and 93/68/EEC
Product Standards:	EN 60730
Manufacturing Process:	ISO9001



Part numbers

FX-THR-VAV-24-CHM-MD-mir

(Modbus)

FX-THR-VAV-24-CHM-mir

(standalone)