

- >> Large LCD display
- >> Large temperature display $\pm 0,5\text{ }^{\circ}\text{C}$
- >> Adjustable temperature setpoint display and selection $5^{\circ}\text{C} - 35^{\circ}\text{C}, \pm 0,5\text{ }^{\circ}\text{C}$
- >> Fan speed selection Lo-Med-High, Auto
- >> Heating/cooling/ventilating mode control
- >> On/Off button
- >> Easy to use
- >> Installation on standard 3" by 3" box
- >> RS485 Modbus communication



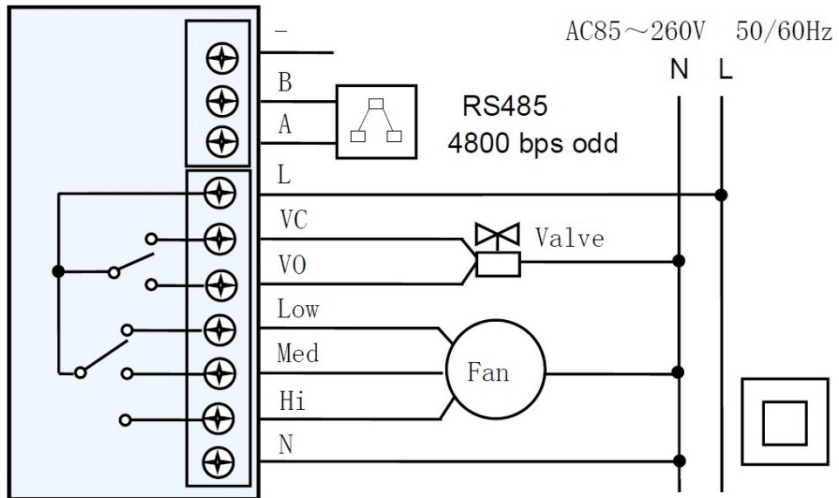
Controls for Fan Coil Units with On/Off valves

The FX-THR-FCU-230-xP-MD-ele series fan coil unit thermostats are microprocessor based communicating thermostats with large display. It is designed for controlling 3-speed Fan Coil Units. It has large and clear display, which shows control mode, set point, temperature and fan speed. Models are available for heating/cooling/ventilating control of 2-pipe or 4-pipe fan coil units with modulating control signals.

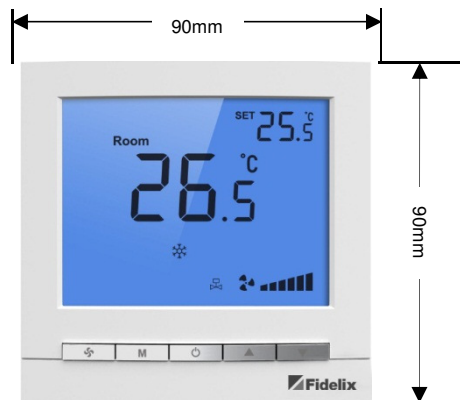
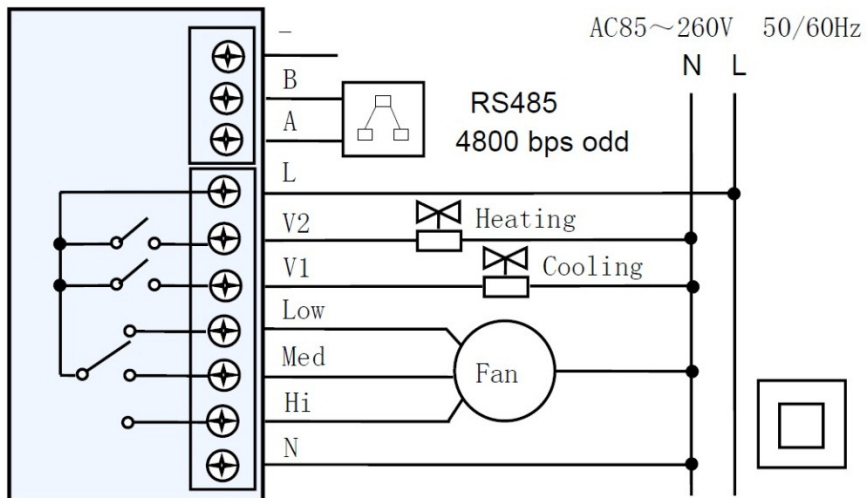
Technical features

Operating Voltage:	85-260 VAC, 50/60 HZ
Temperature Setpoint Range:	5-35 $^{\circ}\text{C} \pm 1,0\text{ }^{\circ}\text{C}$ (adjustable)
Switching Differential:	Approx. +/- 1 $^{\circ}\text{C}$
System Adjust:	5-buttons for Power, Mode, Fan speed, Setpoint Up & Down
Mode Setting:	Heating, Cooling or Ventilating
Fan Speed Adjust:	Low, Medium, High and automatic fans speed control
Control Signal(s):	SPST Relay for 2-pipe, 2 SPST Relays for 4-pipe
Current Rating:	Resistive 2 A, Inductive 1A
Sensing Element:	NTC thermistor
Terminals:	Screw terminal block, 1.5-2.5 sq. mm cable
Operating Temperature:	0-50 $^{\circ}\text{C}$
Operating Humidity:	5-90%
Storage Temperature:	0-55 $^{\circ}\text{C}$
Dimensions:	90(W)mm x 90(H)mm x 14.5(D)mm
Interface:	RS-485
Protocol:	MODBUS RTU
Maximum Length:	1200 meters
Product Standards:	EN 60730
Manufacturing Process:	ISO9001

FX-THR-FCU-230-2P-MD-ele



FX-THR-FCU-230-4P-MD-ele



Part numbers

FX-THR-FCU-230-2PM-MD-ele
FX-THR-FCU-230-4PM-MD-ele

(2-pipe, Modbus)
 (4-pipe, Modbus)