

- »» Large Touch Screen
- »» Luxurious design
- »» Infrared approaching sensor
- »» Temperature and setpoint display and selection 5 °C – 35 °C, $\pm 0,5$ °C
- »» Fan speed selection Lo-Med-High, Auto
- »» Heating/cooling/ventilating mode control
- »» One touch energy saving
- »» Modbus interface (RS-485)
- »» Installation on standard 3" by 3" box
- »» Clock and 7 days 4 periods programmable



Touch screen controls for Fan Coil Units

The FX-THR-FCU-12-xPM-MD-ts is a stylish microprocessor based thermostat with Touch Screen and large display. It is designed for controlling Fan Coil Units. It has large and clear display, which shows control mode, set point, temperature and fan speed when anyone is approaching. One touch energy saving mode. The Thermostats provides RS-485 Communicating Interface and MODBUS protocol for system integration. The Thermostat can be controlled by local buttons manually or by the BMS system. Models are available for heating/cooling/ventilating control of 2-pipe or 4-pipe fan coil units.

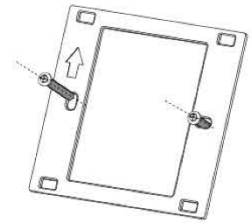
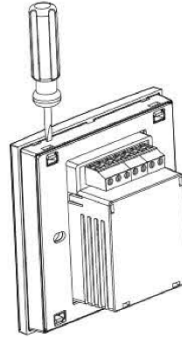
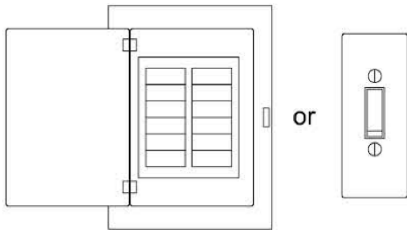
Technical features

Operating Voltage:	12 VDC
Setpoint Range:	5-35 °C $\pm 0,5$ °C
Switching Differential:	Approx. +/- 1°C
System Adjust:	Touch screen for Power, Mode, Fan speed, Setpoint Up and Down
Mode Setting:	Heating, Cooling or Ventilating
Fan Speed Adjust:	Low, Medium, High and Automatic fans speed control
Output:	SPST Relay for 2-pipe, 2 SPST Relays for 4-pipe
Current Rating:	Resistive: 2A , Inductive 1A
Sensing Element:	NTC 100K Ohm thermistor
Terminals:	Screw terminal block, 16 AWG, 18 AWG, 1.5 or 2.5 sq. mm cable
Enclosure:	Fire retardant PC ABS
Operating Temperature:	0-45 °C
Operating Humidity:	5-95%
Storage Temperature:	-20-55 °C
Dimensions:	86(W)mm x 86(H)mm x 13(D)mm), Junction box (hole pitch 60 mm)
Interface:	RS-485
Protocol:	MODBUS RTU
Maximum Length:	1200 meters
Low Voltage Directive:	73/23/EEC and 93/68/EEC
Product Standards:	EN 60730
Manufacturing Process:	ISO9001

Step1. Keep power off.

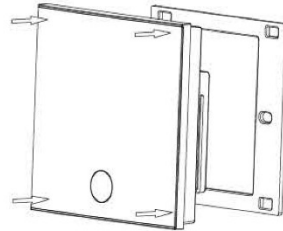
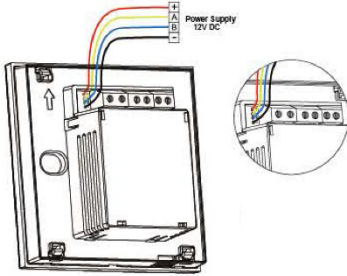
Step2. Take off the iron panel.

Step 3. Fix the iron panel into the wall with screw.

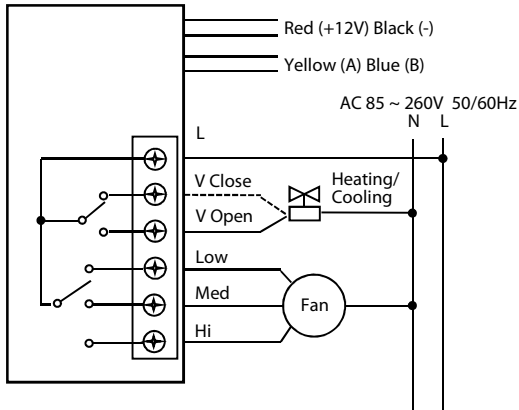


Step 4. connect wire as per diagram.

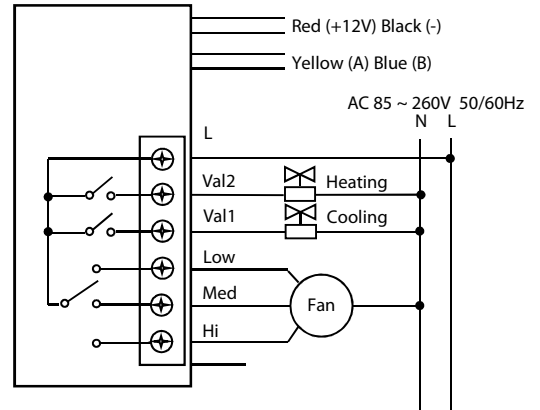
Step 5. Press the thermostat into iron panel as per diagram.



FX-THR-FCU-12-2P-MD-ts



FX-THR-FCU-12-4P-MD-ts



Part numbers

FX-THR-FCU-12-2P-MD-ts (2-pipe, Modbus)

FX-THR-FCU-12-4P-MD-ts (4-pipe, Modbus)