

- »» Accurate NTC 10k type resistance temperature detector
- »» Optional LCD display
- »» Optional Setpoint Adjustment



Room temperature measurement

The room temperature sensor FX-TES-R is an attractive, low profile enclosure that incorporates a precision temperature sensor used to monitor room temperatures. Additional options are available which include LCD and setpoint adjustment.

Technical features

Sensor Type: NTC 10k
 Sensor Accuracy: ± 0.2 °C
 Operating Temperature: 0 - 50°C (32 - 122°F), 0 - 95%RH non-condensing
 Enclosure: White ABS - IP30 (NEMA 1)
 84mm W x 117mm H x 29mm D (3.3" x 4.6" x 1.15")
 Wiring Connections: Sensor only - Pigtail, 2 or 3 wire
 With Options - Screw terminal block (14 to 22 AWG)
 Manufacturing Process: ISO9001

OPTIONS

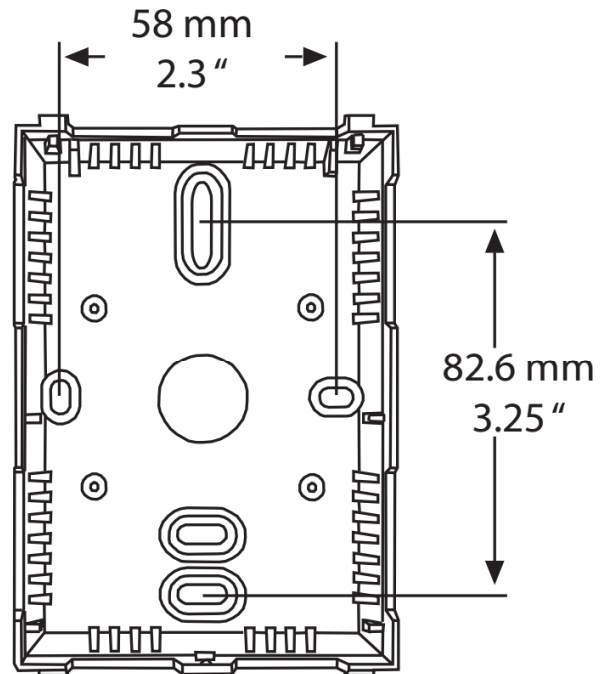
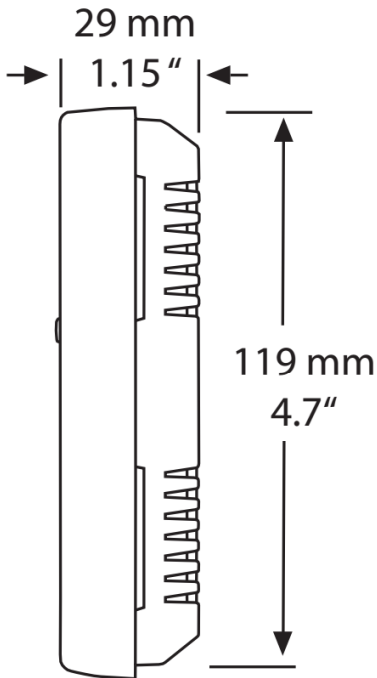
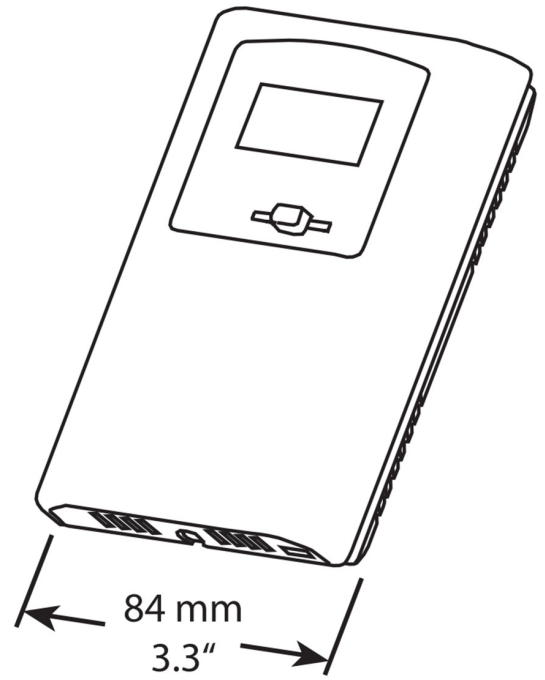
Setpoint Adjustment

Type: Front panel slidepot, 2 wire resistance output
 Range: 0K to 10K Ω

Temperature Display

Power Supply: 12-24 Vdc/24 Vac $\pm 10\%$
 Consumption @ 24 Vdc: 13 mA w/o backlight, 23 mA w/ backlight
 Protection: Reverse voltage protected
 Display Range: 0 - 35° C/32 - 95° F (Jumper selectable)
 Display Resolution: 0.1° C/F
 Display Size: 38.1 mm W x 16.5 mm H (1.5" x 0.65")
 Digit Height: 11.43 mm (0.45")
 Symbols: °C, °F
 Backlight: Encable or disable via jumper

Temp.	Ω	Temp.	Ω	Temp.	Ω
		29	8406	9	20884
140	235	28	8779	8	21918
130	301	27	9165	7	23015
120	390	26	9574	6	24170
110	511	25	10000	5	25391
100	679	24	10448	4	26683
95	786	23	10924	3	28051
90	916	22	11421	2	29498
85	1070	21	11940	1	31030
80	1255	20	12491	0	32650
75	1480	19	13073	-5	42327
70	1752	18	13681	-10	55329
65	2083	17	14325	-15	72957
60	2488	16	15000	-20	97083
55	2986	15	15710	-25	130422
50	3602	14	16461	-30	176976
45	4368	13	17256	-35	24682
40	5324	12	18091	-40	336479
35	6532	11	18970	-45	472178
30	8055	10	19902	-50	671305



Part numbers

FX-TES-R

FX-TES-R-P

FX-TES-R-LCD

FX-TES-R-P-LCD

NTC 10k

with setpoint slider

with LCD display

with setpoint slider and LCD display