

- »» Accurate NTC 10k type resistance temperature detector
- »» The single point sensor is encapsulated in a 6.35 mm OD 304 stainless steel probe.
- »» All probes are constructed to provide good heat transfer and fast response.
- »» Optional probe lengths



Air duct temperature measurement

The temperature sensor for duct FX-TES-D is designed for single point monitoring of air temperature inside ducts. The rigid stainless steel probe and the enduring ABS casing make the sensor suitable for most HVAC applications. The standard length of the probe is 200mm.

The duct type probes are installed in the side of the duct to monitor a single point temperature within the duct. Select a probe length that allows the probe to span the duct width. Install the probe in a straight section of duct at a suitable distance downstream from any heating, cooling or humidification devices.

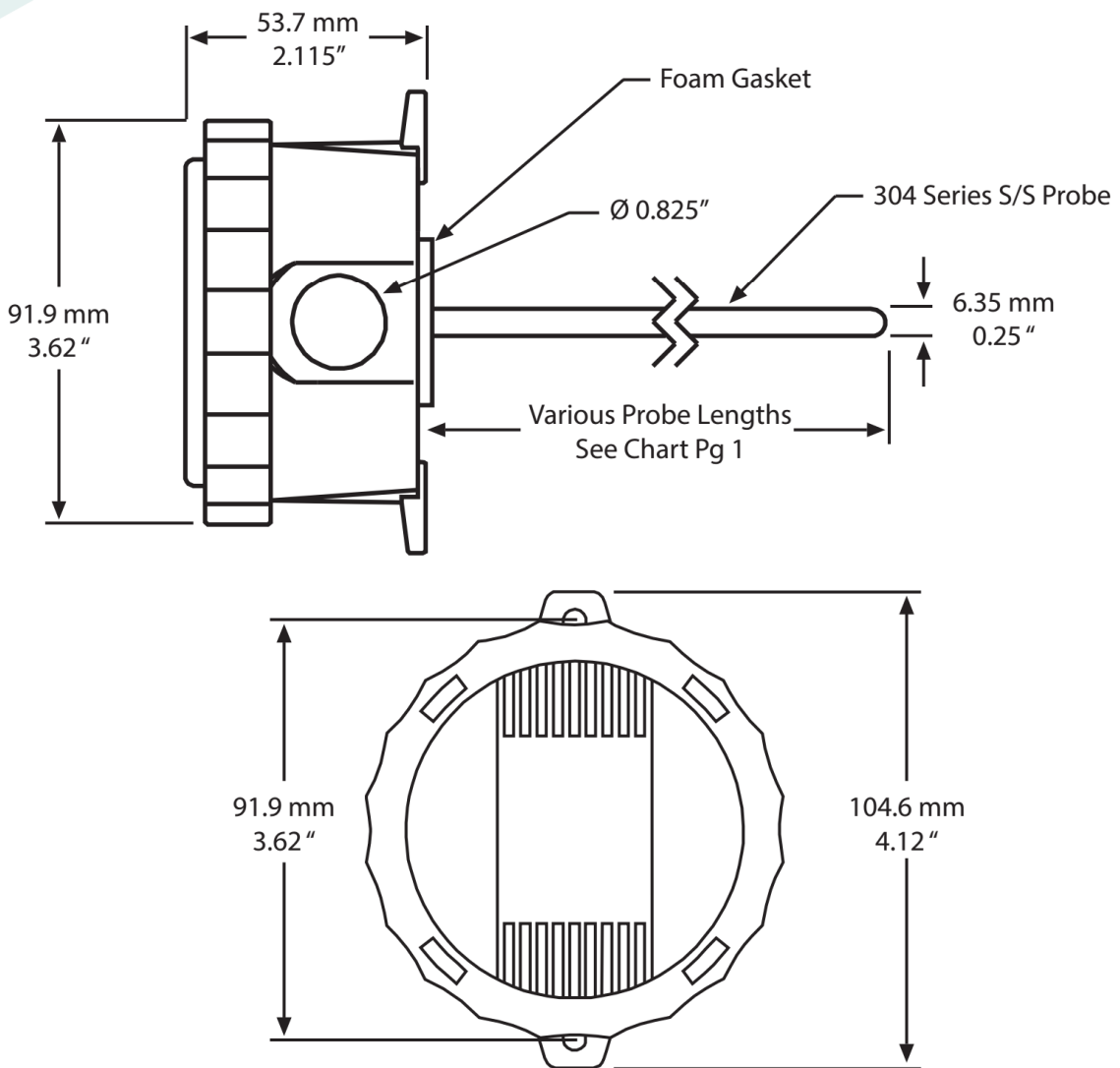
Mounting tabs on the outside of the enclosure are provided with sensor for ease of installation.

Technical features

Sensor Type:	NTC 10k
Sensor Accuracy:	±0.2 °C
Temperature Range:	-20 to 105 °C (-4 to 221 °F)
Standard Probe Length:	200 mm, 100 mm, 300 mm, 450 mm
Wire Material:	PVC insulated, parallel bonded
Probe Material:	304 Series Stainless Steel
Probe Dimensions:	0.25" (6.35 mm) Diameter
Enclosure:	ABS - UL94-5VB - IP65 (NEMA4X)
Termination:	Terminal block
Manufacturing Process:	ISO9001

*In order to maintain the published NEMA/IP ratings, properly rated conduit or cable gland adapters must be used.

Temp.	Ω	Temp.	Ω	Temp.	Ω	Temp.	Ω	Temp.	Ω	Temp.	Ω
		75	1480	29	8406	19	13073	9	20884	-5	42327
140	235	70	1752	28	8779	18	13681	8	21918	-10	55329
130	301	65	2083	27	9165	17	14325	7	23015	-15	72957
120	390	60	2488	26	9574	16	15000	6	24170	-20	97083
110	511	55	2986	25	10000	15	15710	5	25391	-25	130422
100	679	50	3602	24	10448	14	16461	4	26683	-30	176976
95	786	45	4368	23	10924	13	17256	3	28051	-35	24682
90	916	40	5324	22	11421	12	18091	2	29498	-40	336479
85	1070	35	6532	21	11940	11	18970	1	31030	-45	472178
80	1255	30	8055	20	12491	10	19902	0	32650	-50	671305



Part numbers

FX-TES-D200
FX-TES-D100
FX-TES-D300
FX-TES-D450

NTC 10k, 200 mm probe, default length
 with 100 mm probe
 with 300 mm probe
 with 450 mm probe