

- »» 24 VAC/DC or 120/240 VAC operation
- »» Simple change-out of photo or ion detector heads
- »» Low flow air velocity rating 0.5 - 20 m/s
- »» UL, CSFM and MEA Listed
- »» Two (2) sets of 10A form "C" alarm contacts
- »» One (1) set of 10A form "C" trouble contacts
- »» Easy and quick mounting to round or rectangular ducts from 1' – 12' wide
- »» Clear cover for convenient visual inspection
- »» Built-in reset switch that is also an alarm test switch

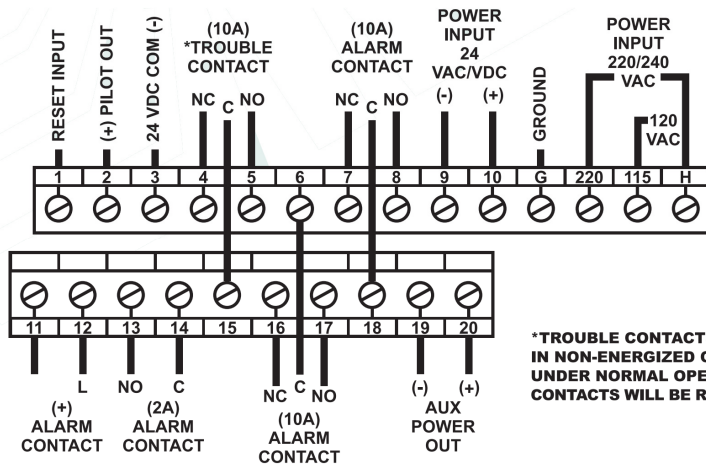
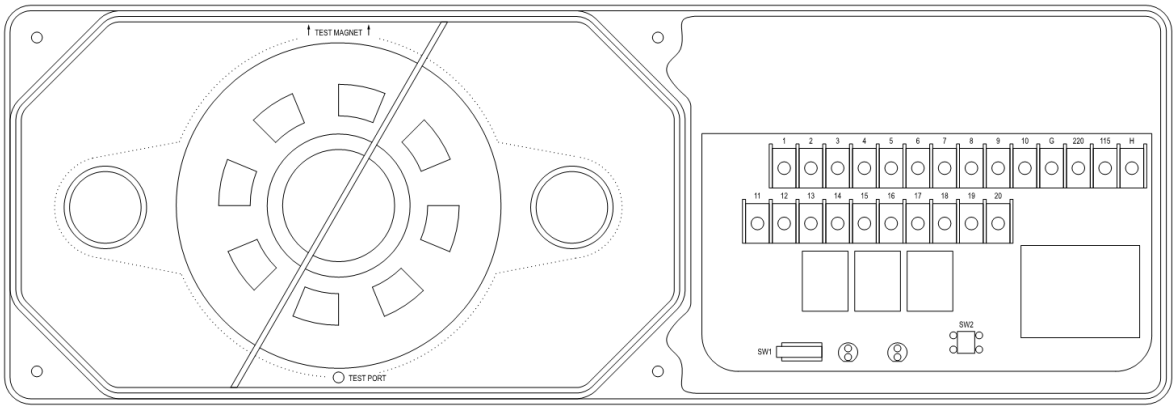


Duct smoke detection

The FX-SMD-D Series Smoke Duct Detector is the latest innovation for early detection of smoke and products of combustion present in air moving through HVAC ducts in Commercial, Industrial, and Residential applications. The unit is designed to prevent the recirculation or spread of smoke by air handling systems, fans, and blowers. Complete systems may be shut down in the event of smoke detection. The FX-SMD-D is designed and built to meet all local code requirements, as well as the NFPA and ICC standards regarding HVAC supply and return duct smoke detectors. Output terminals are provided for a wide range of remote accessories such as horns, strobes, remote status indicators, and test/reset key switches or push buttons. All Detectors must be used with a metal sampling tube, model STN series.

Technical features

Power Requirement Stand By:	230 VAC-7.9 mA, 115 VAC-13.8 mA, 24 VAC-39.4 mA, 24 VDC-13.5mA
Power Requirement Alarm Current:	230 VAC-16.0 mA, 115 VAC-27.0 mA, 24 VAC-59.3 mA, 24 VDC-128.7 mA
Alarm Contacts Rating:	2 sets form "C" rated at 10 amps @115 VAC resistive 1 set form "A" rated at 2 amps
Trouble Contacts Rating:	1 set form "C" rated at 10 amps @ 115 VAC resistive
Air Velocity:	0.50 to 20 M/S (100 to 4000 FPM)
Ambient Temperature:	FX-SMD-D-I 0 to 70°C (32 to 158°F) FX-SMD-D-P 0 to 60°C (32 to 140°F)
Humidity:	10% to 85% R.H. No Condensation
Wiring:	#14 to #22 AWG
Approvals:	Underwriters Laboratories Listed: (UL268A;UROX.S2829) CSFM Listed: (3240-1004:105) MEA Listed: (73-92E;VOL.27)
Material:	Grey plastic backbox, clear plastic cover
Dimensions:	343 mm L x 115 mm H x 58 mm D (13.5" x 4.5" x 2.25")
Max. Net Wt.:	1.14 KG (2.5 lbs.)
Country of Manufacture:	U.S.A.
Manufacturing Process:	ISO9001



*TROUBLE CONTACTS ARE SHOWN IN NON-ENERGIZED CONDITION. UNDER NORMAL OPERATION CONTACTS WILL BE REVERSED.



CSFM LISTED



Part numbers

FX-SMD-D-I
FX-SMD-D-P
STN-1.0
STN-2.5
STN-5.0
STN-10.0

Ionization smoke detector
 Photoelectric smoke detector
 Metal sampling tube, duct widths up to 300mm (12")
 Metal sampling tube, duct, widths 150mm - 750mm (6" - 2.5')
 Metal sampling tube, duct widths 750 - 1500mm (2.5' - 5')
 Metal sampling tube duct widths 1500 - 3000 mm 5' - 10'