

- >> Excellent long-term stability and high accuracy
- >> Backlit LCD for display
- >> Four switch selectable pressure ranges
- >> IP65 (NEMA 4X) enclosure
- >> Pushbutton and remote zeroing terminal
- >> Uni-directional or bi-directional pressure range selection
- >> Jumper selectable LCD backlight for low power consumption applications
- >> Normal/slow surge damping switch to prevent false alarms & reduce noise

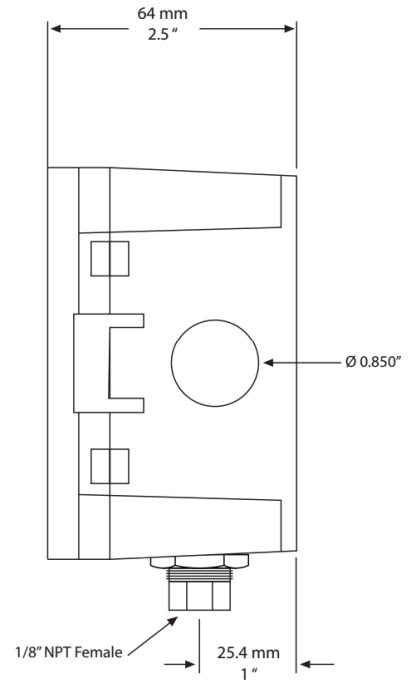
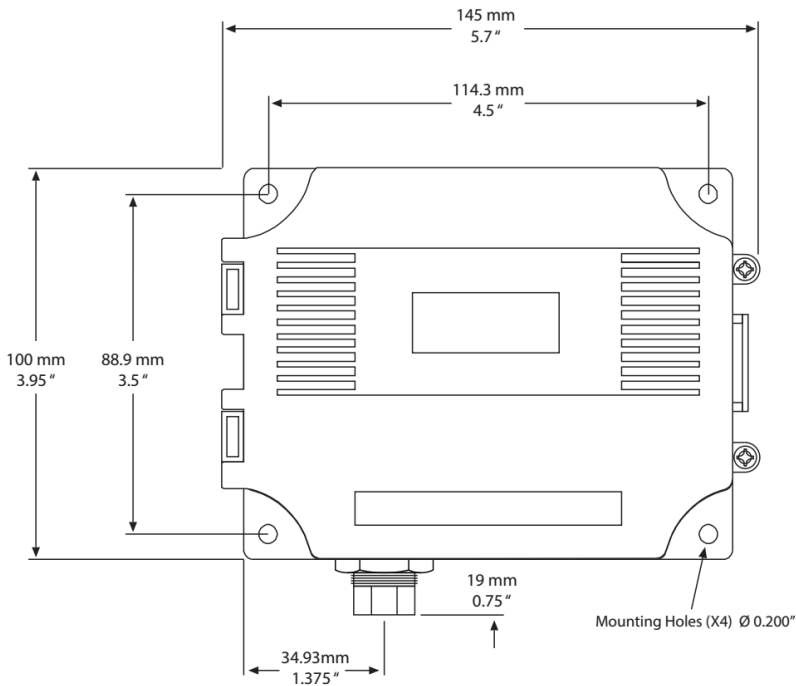
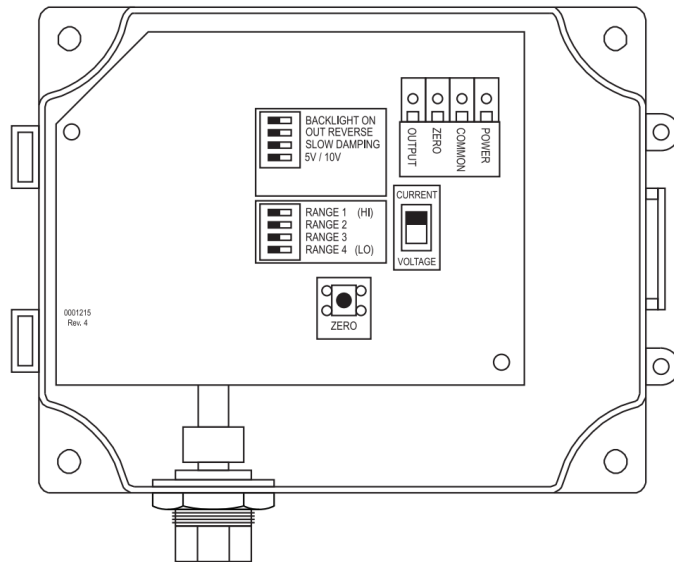


## Water gage pressure measurement

The FX-PGS-W gage pressure transmitter is designed with a single sensor that enables it to accept high pressures in the ranges of 0.5 to 30 bar. All models can handle overload pressure 2X the maximum full scale range and burst pressure is 5X the maximum full scale range. Features include field selectable pressure ranges and output signal types for the most flexible applications. Typical HVAC applications include monitoring of water pressure. The output signal is factory calibrated and temperature compensated for the highest start-up accuracy.

### Technical features

Media Compatibility:	17-4 PH stainless steel
Pressure Ranges:	4 switch selectable ranges per model
Line Pressure:	Max. line pressure is the highest of the selectable ranges
Proof Pressure:	Max. 2X highest range per model
Burst Pressure:	Max. 5X highest range per model
Accuracy:	± 1% F.S. of range selected with combined linearity, hysteresis and repeatability
Pressure Cycles:	>100 million
Surge Damping:	Normal: 4 second averaging Slow: 8 second averaging, switch selectable
Sensor Operating Range:	-40° to 85°C (-40° to 185°F)
Compensated Range:	0° to 55°C (32° to 130°F)
Operating Environment:	0° to 50°C (32° to 122°F), 10-90% RH condensing
Stability:	±0.25% typical (1 year)
Zero Adjust:	Push-button auto-zero and digital input
Operating Humidity:	0 to 95% RH non-condensing
Power Supply:	18 to 28 Vac/Vdc (non-isolated half-wave rectified)
Consumption:	100 mA max @ 24 Vdc with LCD backlight, 35 mA backlight off
Output Signal:	3-wire transmitter; selectable 4-20mA active, 0-5 or 0-10 Vdc
Pressure Connections:	1/8" NPT female
Enclosure:	ABS, hinged lid with gasket, IP65 (Nema 4)
Dimensions:	145 X 100 X 64 mm (5.7" X 3.95" X 2.5")
Shock:	100G, 11 mSec, 1/2 sine
Vibration:	10G peak 20 to 2000 Hz
Wiring Connections:	Screw terminal block (14 to 22 AWG)
Optional LCD Display:	35 mm x 15 mm (1.4" w x 0.6" h) alpha-numeric 2 line x 8 char. Backlight - Enable or disable via jumper
Manufacturing Process:	ISO9001



## Part numbers

**FX-PGS-W-5**

**FX-PGS-W-5-LCD**

**FX-PGS-W-10**

**FX-PGS-W-10-LCD**

**FX-PGS-W-30**

**FX-PGS-W-30-LCD**

Range 0.5/1.0/2.5/5.0 bar

with LCD display

Range 1.0/2.0/5.0/10.0 bar

with LCD display

Range 3.0/6.0/15.0/30.0 bar

with LCD display