

- >> High rated SPDT contacts
- >> Adjustable setpoint
- >> Adjustable differential
- >> Direct switching of 240 VAC loads
- >> Full mechanical switching



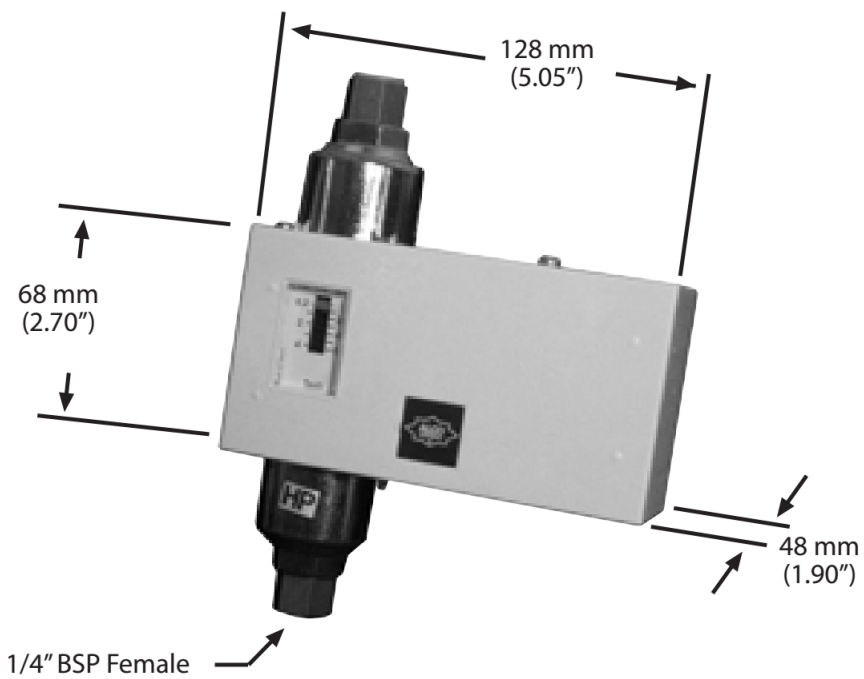
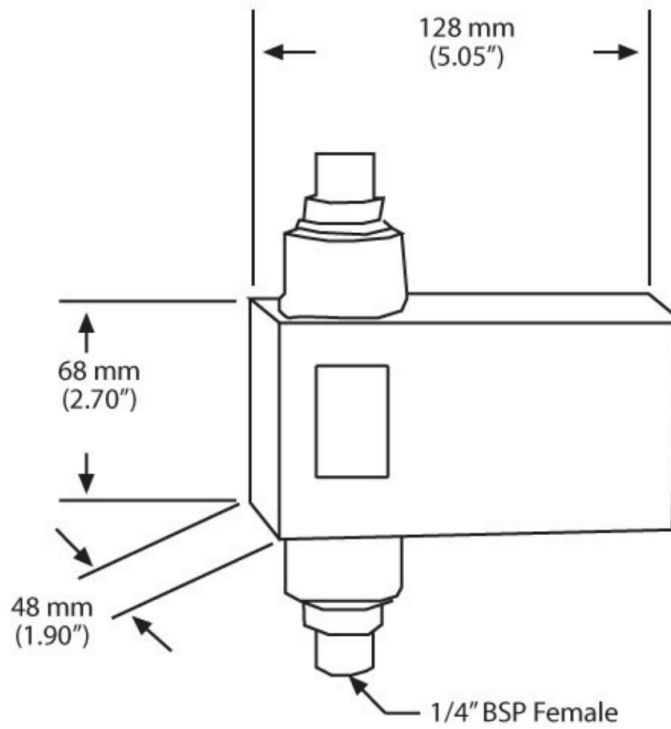
Water pressure difference switch

The FX-PDSW-W differential pressure switch is a low cost effective pressure monitoring solution for liquids and non-aggressive gases.

The unit is designed for both flow proving and flow failure detection to cover the range of 0.3 to 4.5 Bar (4.35 to 65.25 Psi). Approximate setpoint can be viewed on the dial at the front of the unit.

Technical features

Range:	0.2 to 4.5 Bar (2.9 to 65.25 PSI)
Differential:	0.2 Bar (2.9 PSI)
Factory Setting:	0.7 Bar (10.15 PSI)
Max. Operating Pressure:	12 Bar (174 PSI)
Max. Leak Test Pressure:	23 Bar (334 PSI)
Pressure Connection:	1/4" BSP Female
Electrical Connection:	Screw terminals suitable for 1.5 mm conductors max.
Contact Rating:	3 Amp @ 230 Vac Inductive 0.1 Amp @ 230 Vdc
Ambient Temperature:	-20° to 70°C (-4° to 158°F)
Fluid Temperature:	Max. 70°C (158°F)
Materials:	Fittings - Brass Wetted Parts - Phosphor bronze Switch Back plate - Zinc plated mild steel Housing cover - Flame resistant polycarbonate
Protection:	IP30 (NEMA 2)
Dimensions:	48 x 128 x 175 mm
Weight:	790 gms (1.75 lbs)
Approvals:	ULC #E85974
Manufacturing Process:	ISO9001



Part number

FX-PDSW-W

Range 0.2 -4.5 bar