

- >> Ranges 250 to 1000 Pa
- >> Four variable jumper selectable pressure ranges
- >> Jumper selectable 2 wire current and 3 wire voltage outputs standard
- >> 24 VAC/DC power supply standard
- >> LCD display and integrated static probe available

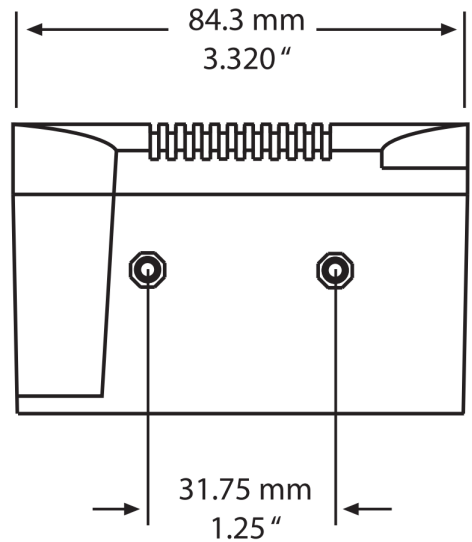
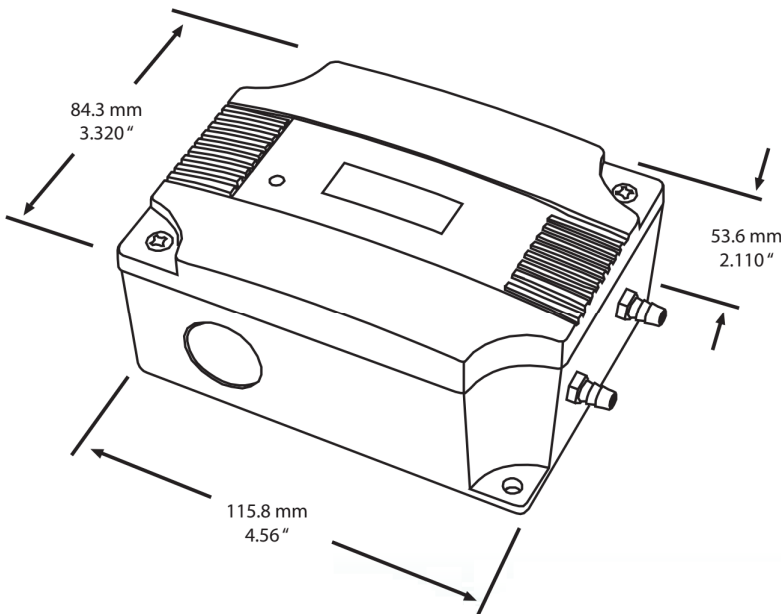
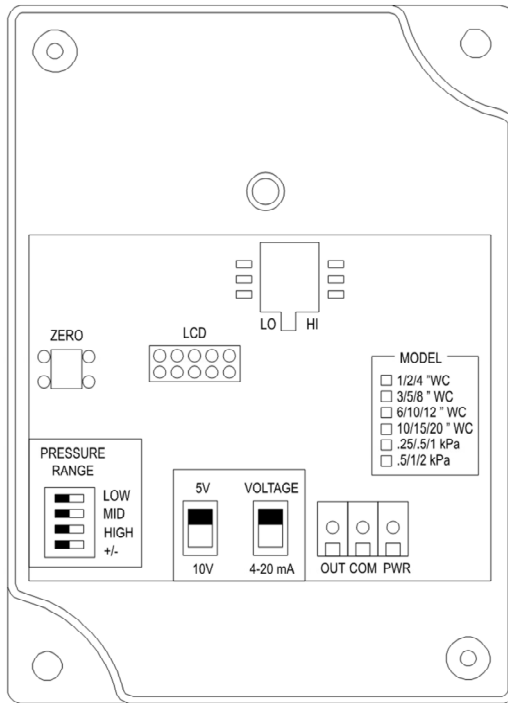


Air pressure difference measurement

The FX-PDS-A Low Pressure Transmitter can be used to measure positive, negative or differential pressure in the ranges of 250 to 1000 Pa. The piezoresistive sensor is ideal for monitoring the pressure for air or other clean inert gas and is limited only to those media which will not attack polyetherimide, silicon, fluorosilicone, silicone, EPDM and neoprene seals. The FX-PDS-A features field selectable pressure ranges and output signal types for the most flexible applications. Typical HVAC applications include monitoring of filter differential pressure or VAV applications. The output signal is factory calibrated and temperature compensated for highest startup accuracy and trouble-free operation. Available options include LCDs and integrated static pressure probes.

Technical features

| | |
|----------------------------|---|
| Pressure Ranges: | $\pm 250, \pm 500, \pm 1000$ Pa (field adjustable) |
| Accuracy: | $\pm 1\%$ F.S.O. |
| Measurement Type: | Differential (two port), Static, Velocity, & Total Pressure |
| Response Time: | 250 ms |
| Stability: | $< \pm 1\%$ F.S.O. per year |
| Thermal Effects: | $< \pm 3\%$ over compensated range |
| Compensated Range: | 0 - 50° C (32 - 122°F) |
| Proof Pressure: | 40" W.C. (100" for 10" & 20" Models) |
| Burst Pressure: | 60" W.C. (200" for 10" & 20" Models) |
| Operating Conditions: | 0 - 70°C (32 - 158°F), 10 - 90 %RH, non-condensing |
| Power Supply: | 20 - 28 Vac/dc (non-isolated half-wave rectified) |
| Supply Current: | < 4 mA |
| Input Voltage Effect: | Negligible over operating range |
| Protection Circuitry: | Reverse voltage protected and output limited |
| Output Signal: | 4-20 mA (2-wire), 0-5 or 0-10 Vdc (3-wire), switch selectable |
| Output Drive Capabilities: | Current: 400 ohms max @ 24 vdc Voltage: 10K ohms min |
| Zero Adjustments: | Pushbutton auto-zero |
| Wiring Connections: | Screw terminal block (14 to 22 AWG) |
| Pressure Connection: | Barbed ports for 5 mm (0.170" ID) flexible tubing |
| Conduit Connection: | 1/2" NPT conduit or cable gland |
| Optional Display: | 3 1/2 digit LCD, 0.4" digit height |
| Enclosures: | ABS, plenum rated |
| Weight: | 159 grams (5.6 oz) |
| Manufacturing Process: | ISO9001 |



Part numbers

FX-PDS-A
FX-PDS-A-LCD

Ranges ± 250 , ± 500 , ± 1000 Pa
with 3-digit LCD display