

- »» Ranges ± 250 Pa to ± 30 Pa
- »» Field selectable outputs
- »» Precision silicon sensor
- »» 24 VAC/DC power supply standard
- »» Functional and attractive enclosure
- »» LCD display & alarm output



Room pressure difference sensor

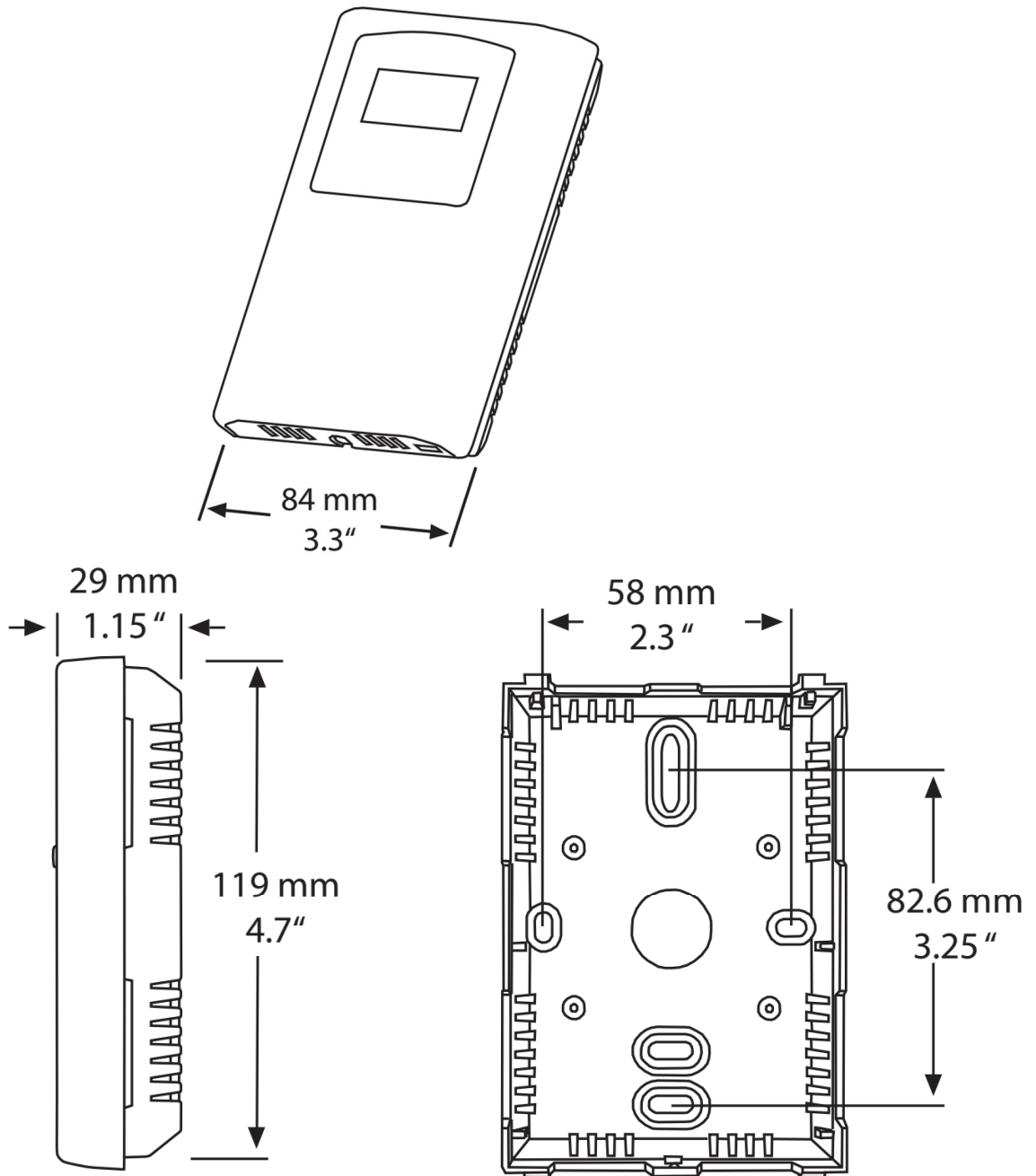
The FX-PDS-R-LCD Room Pressure Monitor is used to measure differential pressure in the range of 30 to 250 Pa. It combines precision high sensitivity silicon sensing capabilities and the latest ASIC technology to substantially reduce offset errors due to changes in temperature, stability to warm up, long term instability and position sensitivity. It features an LCD to display the pressure value, several bi-directional pressure ranges and field-selectable output signal types for the most flexible application. It also features an on-board auto-zero function, an alarm output with a variable trip point, a remote buzzer output with silence switch and a flashing alarm LED.

Technical features

Pressure Ranges:	$\pm 250, \pm 125, \pm 60, \pm 30$ Pa
Accuracy:	$\pm 1\%$ F.S.O. ($\pm 2\%$ F.S.O. for 30 Pa ranges)
Stability:	$\pm 1\%$ FS max (1 year)
Thermal Effects:	$< \pm 3.5\%$ FS max, 5 - 50°C (41 - 122°F)
Response Time:	0 - 60 Sec (menu selectable)
Proof Pressure:	100" WC (24.9 kPa)
Burst Pressure:	200" WC (49.8 kPa)
Operating Conditions:	0 - 60°C (32 - 140°F), 10 - 90% RH non-condensing
Storage Temperature:	-40 - 70°C (-40 - 158°F)
Media Compatibility:	Dry air and inert gas
Zero Adjustment:	Pushbutton auto-zero
Power Supply:	24 Vac/dc, $\pm 10\%$
Power Consumption:	70 mA max with alarms on
Output Signal:	4-20 mA (3-wire), 0-5 Vdc or 0-10 Vdc (3-wire), field selectable
Output Drive:	750 Ω max (4-20 mA), 2K Ω min (voltage)
Input Voltage:	Effect Negligible over specified operating range
Protection Circuitry:	Reverse voltage protected and output limited
Wiring Connections:	Screw terminal block (14 to 22 AWG)
Pressure Connections:	Ports for 1/16" ID tubing (1/8" ID Adapters included)
Enclosure:	Wall mount, White ABS, IP30 (NEMA1)
Dimensions:	84 W x 119 H x 29 D mm (3.3" x 4.7" x 1.15")
Weight:	115 grams (4 oz)
LCD Display Size:	38.1 x 16.5 mm (1.5" x 0.65")
LCD Digit Height:	11.43 mm (0.45")
Symbols:	Pa,
Backlight:	Enable/disable via menu
Manufacturing Process:	ISO9001

Alarm functions

Alarm Relay Output:	N.O. contact, 2 Amps @ 120Vac or 30 Vdc
Alarm Relay Trip Point:	Upper and lower trip levels adjustable over the pressure range
Alarm Relay Delay:	0 to 10 Minutes (menu selectable)
Alarm Visual Indication:	Red flashing LED
Alarm Audible Indication:	On-board buzzer, 85 db on high range (menu selectable)
Remote Buzzer Output:	Output to control remote audible alarm (Part Number AA-1)



Part numbers

FX-PDS-R-60-LCD
FX-PDS-R-250-LCD

Ranges ± 60 Pa, ± 30 Pa
Ranges ± 250 Pa, ± 125 Pa