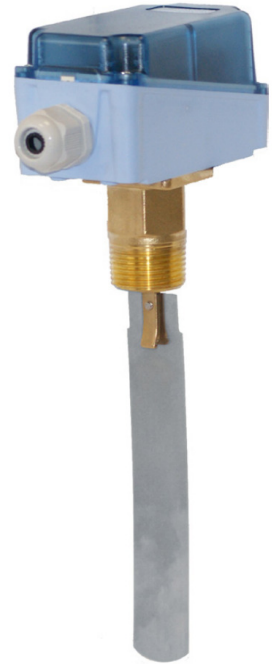


- >> Adjustable flow rate setting
- >> Suitable for pipes with diameter of 1-8"
- >> ABS casing with a protection class IP65
- >> Well-suited in pipes of general industrial plants, heating and air conditioning systems, refrigeration systems, sprinkler or anti-fire systems, heat pumps, devices for oil monitoring, lubrication circuits



Flow switching for liquids

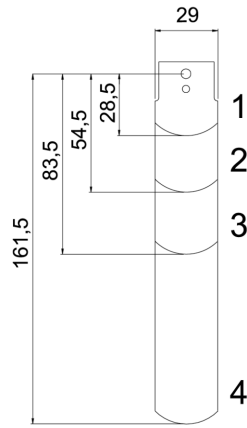
The FX-FLSS-W liquid flow switch is well-suited in pipes of general industrial plants, including heating and air conditioning systems, refrigeration systems, sprinkler or anti-fire systems, heat pumps, devices for oil monitoring and lubrication circuits. The product is available in brass, which is suitable for normal media, and upon request in stainless steel, which is suitable for sea water and aggressive media.

The flow switch can be installed in every position far from elbows or throttlings, with arrow on flow direction. If pipe is vertical, recalibrate range to balance paddle weight. If the device is downwards mounted take care to slugs, and apply it in a straight pipe far from filters, valves, etc with length at least 5 times the diameter of pipe upstream and downstream the unit.

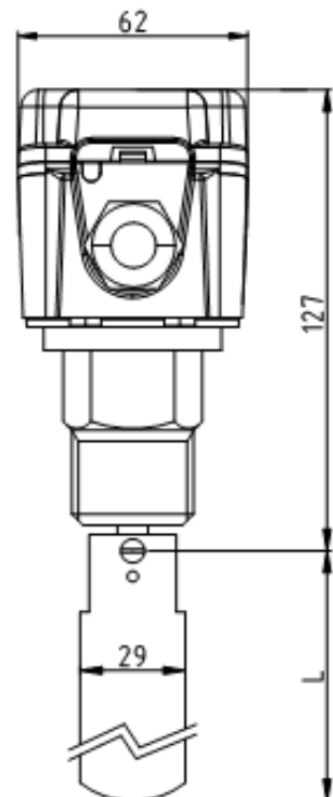
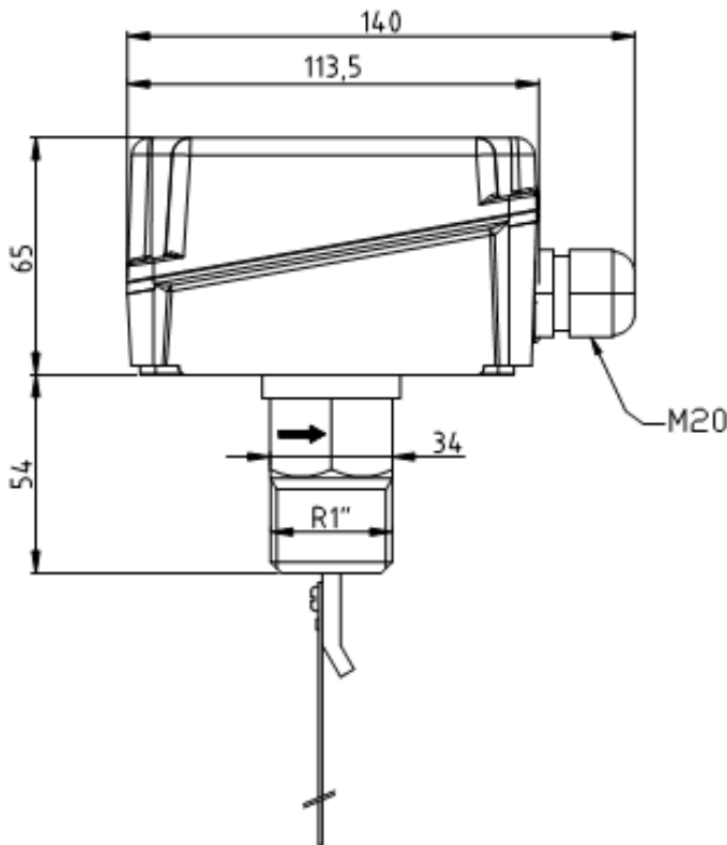
Technical features

Contacts:	dust-tight microswitch with switching contacts (n.c./n.o.)
Switch capacity:	15 (8) A, 24...250 Vac
Working:	-40...+85 °C 10...90% r.h. (without condensing)
Max temperature	-40...+120 °C
Max pressure:	11 bar (SF2: 30 bar)
Fitting:	see flow rate schedule
Body:	Brass (or stainless steel)
Paddles:	stainless steel NOX AISI 316L
Housing:	Base in ABS, transparent PC cover
Storage:	-40...+85 °C < 95% r.h.
Protection:	IP65, class I
Size:	140 x 62 x 65 mm
Weight:	950 g
Manufacturing Process:	ISO9001

Piepe connector β	Qmax. m ³ /h recommended	Min. adjustment m ³ /h cut-off (cut-in)	Max. adjustment m ³ /h cut-off (cut-in)
1"	3,6	0,6 (1,0)	2,0 (2,1)
1 1/4"	6,0	0,8 (1,3)	2,8 (3,0)
1 1/2"	9,0	1,1 (1,7)	3,7 (4,0)
2"	15,0	2,2 (3,1)	5,7 (6,1)
2 1/2"	24,0	2,7 (4,0)	6,5 (7,0)
3"	36,0	4,3 (6,2)	10,7 (11,4)
4"	60,0	11,4 (14,7)	27,7 (29,0)
4" Z	60,0	6,1 (8,0)	17,3 (18,4)
5"	94,0	22,9 (28,4)	53,3 (55,6)
5" Z	94,0	9,3 (12,9)	25,2 (26,8)
6"	120,0	35,9 (43,1)	81,7 (85,1)
6" Z	120,0	12,3 (16,8)	30,6 (32,7)
8"	240,0	72,6 (85,1)	165,7 (172,5)
8" Z	240,0	38,6 (46,5)	90,8 (94,2)



Pipe	Paddles
1"	1
1 1/4"	1
1 1/2"	1
2"	1,2
2 1/2"	1,2
3"	1,2,3
4"	1,2,3
4" Z	1,2,3,4
5"	1,2,3
5" Z	1,2,3,4
6"	1,2,3
6" Z	1,2,3,4
8"	1,2,3
8" Z	1,2,3,4



Part numbers

FX-FLSS-W
FX-FLSW-SS

Flow switch for water
Stainless steel body for aggressive media