

- >> FullHD 1080P Real Time (2 Mpix) with 20x Zoom Module
- >> H.265/ H.264/ M-JPEG Compression, Triple Streaming
- >> Bandwidth and Storage Savings up to 50%
- >> IR LED Built in 150M
- >> Digital Wide Dynamic Range
- >> True Day/Night Function – IR Cut Filter (ICR)
- >> 360° Continuous Pan and 180° Tilt
- >> Power over Ethernet (802.3at)
- >> 2-Way Audio
- >> -20°C ~ 60°C Temperature Range for Weather Conditions
- >> -40°C ~ 60°C Temperature Range for Weather Conditions (with Heater), IP66
- >> Compatible with ONVIF standard



Technical features

Hardware

CPU:	Multimedia SoC
RAM:	256MB
Flash:	32MB
Audio:	1in/1out (3.5mm Phone Jack)
Audio Compression:	G.711(64K) and G.726(32K,24K)
Alarm I/O:	4 in/ 1 out
Image Sensor:	1/2.9" 2M Type Exmor CMOS Sensor
Lens Type:	20x Optical zoom (Auto focus zoom)
Focal Length:	f=4.7 to 94mm
Maximum Aperture:	F1.6 to F 2.8
Angle of View:	3.4° – 62.6° (horizontal) 2.0° - 39.2° (vertical)
Pan Angle:	360°
Tilt Angle:	0° ~ 180° Auto Flip
Maximum Speed:	200 °/s
	0.005 lux(B/W), 0.05 lux(Color)
Sensitivity:	Yes (IEEE802.3at)
Power over Ethernet:	36 VAC: Max 16.8W, Max 20.5W (with heater)
Power:	PoE: Max 17.1W, Max 21.5W (with heater)
Preset Accuracy:	<±0.15°
Preset Points:	256
Preset Focus Mode:	Auto / Manual
Patrol:	8 groups with 24 point
Auto Pan:	Yes
Auto Recovery:	Pending Time, Action
Cruise:	Yes, 8 groups
IR Distance:	150m
Dimensions :	346mm (H) x 227mm (Ø)
Operating Temperature:	-20°C ~ 60°C (without heater) -40°C ~ 60°C (with heater)
Storage Temperature:	-30°C ~ 60°C
Weight:	5200 g

Network

Ethernet: 10/ 100 Base-T

Network Protocol:	IPv6, IPv4, HTTP, HTTPS, SNMP, QoS/DSCP, Access list, IEEE 802.1X, RTSP, TCP/IP, UDP, SMTP, FTP, PPPoE, DHCP, DDNS, NTP, UPnP, 3GPP, SAMBA
Video Resolution:	1920x1080@30fps, 1280x720@30fps, 640x480@30fps, 320x240@30fps, 176x144@30fps

System

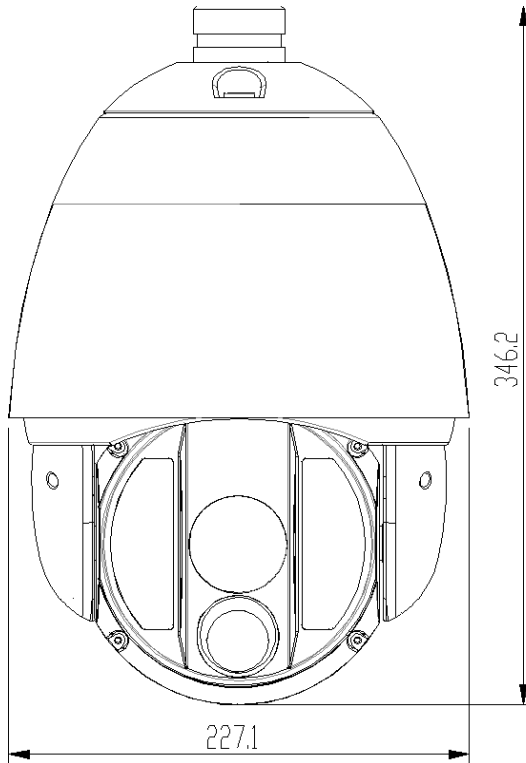
Video Adjust:	Auto Electronic Shutter, Day & Night Mode, Day & Night Level, Day & Night Delay, DNR Mode, WDR Mode, Video Orientation, White Balance, Sharpness, Exposure Compensation, Defog, OSD, Contrast, Saturation
Triple Streaming:	Yes
Image Snapshot:	Yes
Full Screen Monitoring:	Yes
Compression Format:	Yes
Video bitrates Adjust:	H.265/ H.264 / M-JPEG
Motion Detection:	CBR, VBR
Triggered Action:	On/Off
Pre/ Post Alarm:	Mail, FTP, Save to SD card, DO, SAMBA
Security:	Yes, configurable Password protection, IP address filtering, HTTPS encrypted data transmission, 802.1X port-based authentication for network protection, QoS/DSCP
Firmware Upgrade:	HTTP mode, can be upgraded remotely
Simultaneous Connection:	Up to 10

SD Card Management

Recording Trigger:	Motion Detection, IP check, Network break down (wire only), Schedule, DI
Video Format:	AVI, JPEG
Video Playback:	Yes
Delete Files:	Yes
Mobile Support:	iOS 4.3 or above, Android 1.6 or above.

FullHD PTZ video streams in harsh conditions

The FullHD Outdoor IR PTZ dome camera FX-CPTZD-2M5-20Z16-O-IR is suitable for professional video monitoring solutions. It has long range iR leds up to 150 meters and many advanced features including Patrol Mode, Digital Noise Reduction and Digital Wide Dynamic Range.



FX-CBR-PTZR
(200 mm)



FX-CBR-PTZW

+B

-Pole

-C-Out

-C-In

Part numbers

FX-CPTZD-2M4-20Z16-O-IR	18x optical zoom + PoE
FX-CPTZD-2M4-20Z16-O-IR-H	18x optical zoom + PoE + Heater
FX-CBR-PTZR	Roof mounting bracket for PTZ camera
FX-CBR-PTZW	Wall mounting bracket for PTZ camera
FX-CBR-PTZW+B	Wall mounting bracket with termination box for PTZ camera
FX-CBR-PTZW-Pole	Pole mounting for wall mounting bracket only
FX-CBR-PTZW-C-Out	Out corner mount bracket for wall mounting bracket only
FX-CBR-PTZW-C-In	In corner mount bracket for wall mounting bracket only