

- >> 0-300 ppm CO range
- >> Electrochemical sensing element
- >> 4-20 mA output, 2 wire (looped powered)
- >> Powered by either AC or DC source
- >> Easy to calibrate in the field



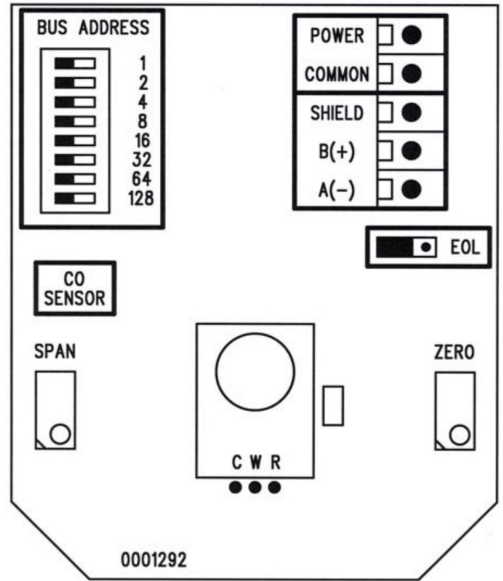
Carbon monoxide measurement

The FX-CMS-R carbon monoxide detector uses a superior electrochemical sensor for reliability and accuracy in even the most critical applications. The standard product features a 2-wire loop-powered output. Optional Modbus communications output is available.

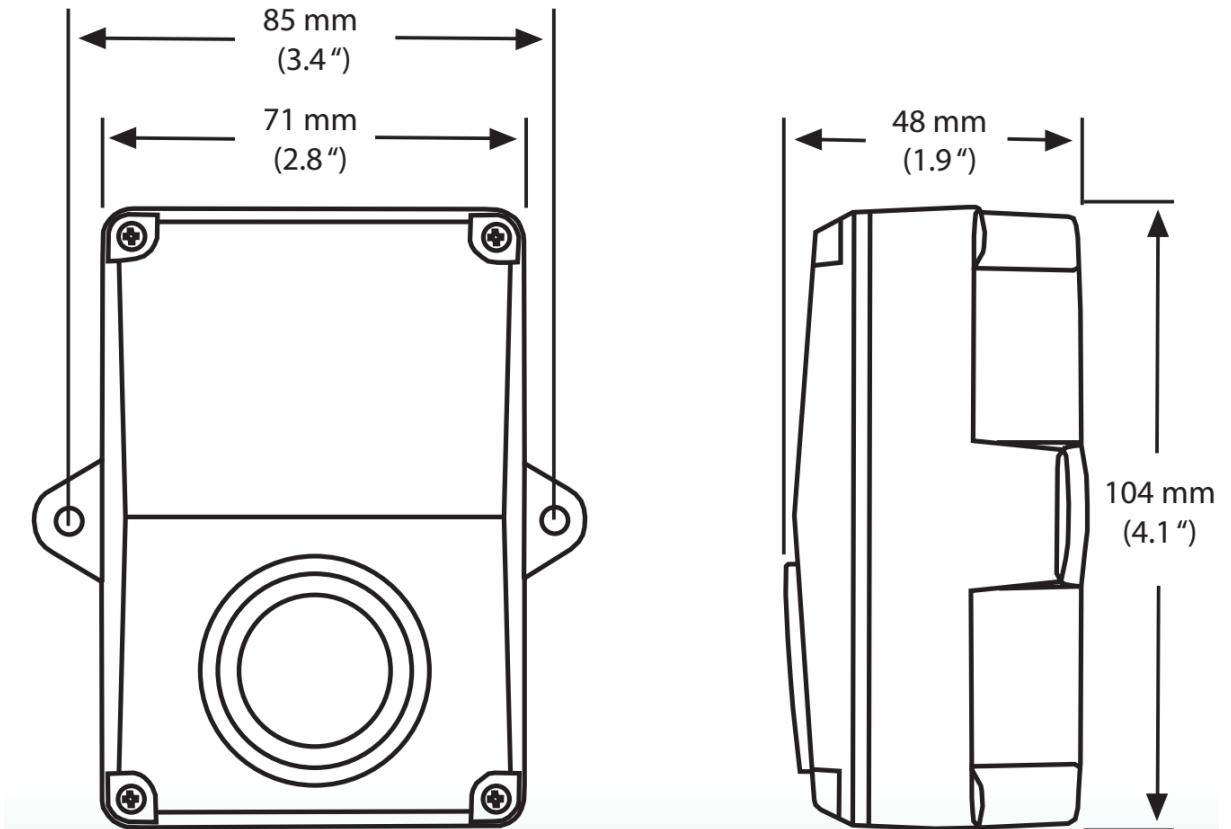
The enclosure should be mounted on a flat surface 1-1.5 m (3-5') from the floor of the area to be controlled. Do not mount the sensor near doors, opening windows, supply air diffusers or other known air disturbances. Avoid areas with vibrations or rapid temperature changes..

Technical features

Measurement:	Electrochemical
Sample Method:	Diffusion
Measurement Range:	Analog: 0-300 ppm Modbus: 0-500 ppm
Accuracy:	± 5 ppm or ± 5% of reading (whichever is greater) @ 0-50°C (32-122°F), 15-95% RH
Agency Approvals:	UL Recognized for ANSI/UL-2034 and UL-2075, E240671
Operating Conditions:	-20-50°C (-4-122°F), 15-95% RH,
Stability:	< 5% signal loss/year
Response Time:	< 35 seconds for 90% step change
Life Expectancy:	5-7 years in air
Typical Coverage Area:	700 m ² (7500 ft ²) or 15 m (50 ft) radius
Wiring Connections:	Screw terminal block (14 to 22 AWG)
Dimensions:	71 w x 104 h x 46 d mm (2.8" x 4.1" x 1.8")
Enclosure:	ABS - UL94-V, IP65 (NEMA 4X)
Power Supply:	Analog: 24 Vdc ±20% or 24 Vac ±10% (non-isolated half-wave rectified) Modbus: 24 Vdc ±20%
Consumption:	Analog: 20 mA max Modbus: 35 mA max
Output Signal:	4-20 mA (loop-powered w/ 24 Vdc)
Output Drive Capability:	550 ohms max @ 24 Vac/dc
Optional Output:	Modbus Communications
Manufacturing Process:	ISO9001



FX-CM-R-MOD terminations



Part numbers

FX-CMS-R
FX-CMS-R-MOD

CO 4-20 mA
Modbus communication