

- >> Setup/calibration fully menu driven
- >> Easy to calibrate in the field
- >> Replaceable Electrochemical sensing element
- >> Powered by either an AC or DC source
- >> Selectable ranges of 0-100, 150, 300, 400 or 500 ppm

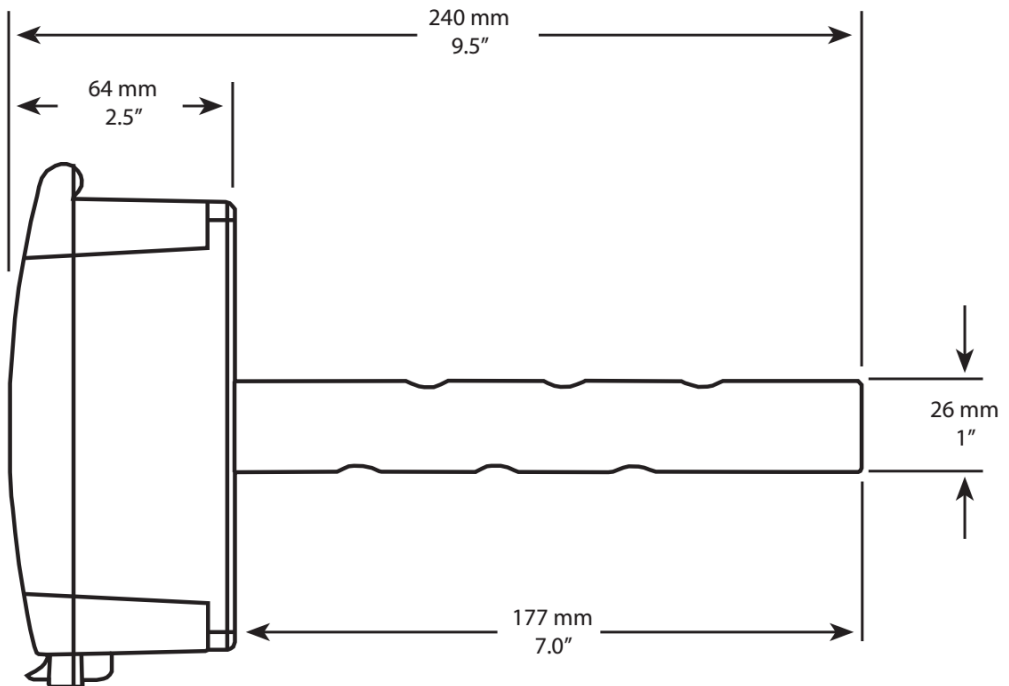
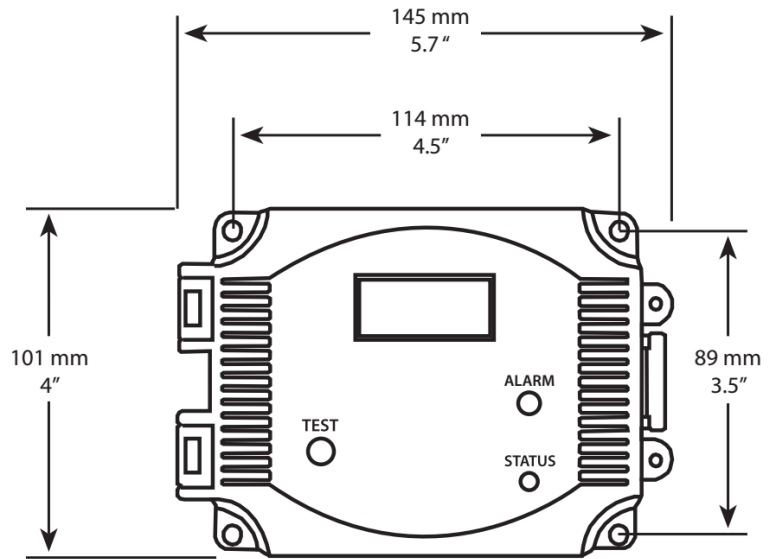
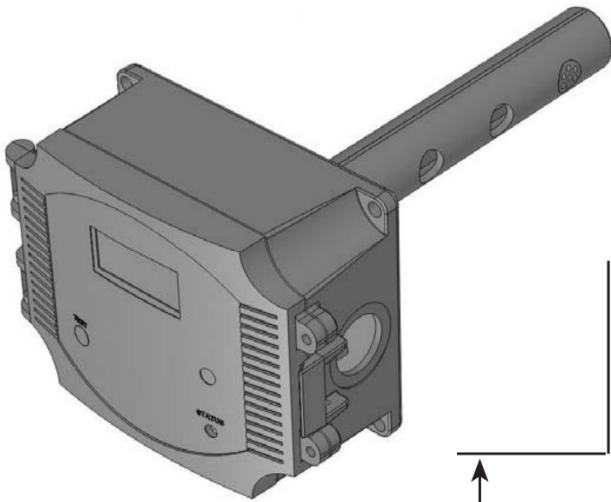


## Duct carbon monoxide measurement

The FX-CMS-D carbon monoxide detector uses an electrochemical sensor to monitor the carbon monoxide level and outputs a field-selectable 4-20 mA or voltage signal. The voltage signal may be set to 0-5 or 0-10 Vdc. The sensing range and output may be scaled to either 100, 150, 300, 400 or 500 ppm via the on-board menu. A front panel LCD is standard to ensure easy setup and operation. Other standard features include a back light for the LCD, a front panel test switch, status indication and an alarm buzzer. The test function may also be controlled remotely with a digital input signal. The on-board menu allows local configuration of all device parameters.

### Technical features

|                             |  |
|-----------------------------|--|
| Sensor Type:                | Electrochemical  |
| Sensor Agency Approvals:    | UL Recognized for ANSI/UL-2034, UL-2075, E240671   |
| Measurement Range:          | 0-100, 150, 300, 400, or 500 PPM (Selectable)  |
| Accuracy:                   | ±5 PPM or 5% of reading (whichever is greater)   |
| Accuracy rated:             | 0° to 50°C (32° to 122°F), 15 to 95% RH  |
| Life Expectancy:            | 5-7 years in air   |
| Typical Coverage Area:      | 700 m <sup>2</sup> (7500 ft <sup>2</sup> ) or 15 m (50 ft) radius  |
| Operating Conditions:       | -20° to 50°C (-4° to 122°F), 15 to 95% RH, 0.9 to 1.1 atm  |
| Sample Method:              | Flow through sample tube   |
| Stability:                  | <5% signal loss/year   |
| Response Time:              | <35 seconds for 90% step change  |
| Power Supply:               | 24 Vdc ±20% or 24 Vac ±10% (non-isolated half-wave rect.)  |
| Consumption:                | 100 mA max. with all options on  |
| Protection Circuitry:       | Reverse voltage protected and output limited   |
| Output Signal:              | 4-20 mA (Active), 0-5 or 0-10 Vdc (Selectable)   |
| Output Drive at Capability: | 450 ohms max for mA output, 10 Kohms min for V output  |
| Output Resolution:          | 10 bit PWM (±0.4 ppm)  |
| LCD Display:                | Displays PPM and menu parameters<br>1 PPM resolution, 35 mmW x 15 mm H (1.4" x 0.6")<br>Alpha-numeric, 2 line X 8 character with backlight |
| Status LED:                 | 2 color (red/green) on front panel   |
| Test Switch:                | Performs I/O tests, front panel and remote connection  |
| Buzzer Alarm:               | 85 db @ 10 feet  |
| Buzzer Trip Point:          | Programmable 20-500 ppm in 10 ppm increments   |
| Buzzer Delay:               | Programmable 0-10 minutes in 1 minute increments   |
| Wiring Connections:         | Screw terminal block (14 to 22 AWG)  |
| External Dimensions:        | 145 x 101 x 240mm, (5.7" w x 4" h x 9.5" d) includes probe   |
| Enclosure Ratings:          | ABS - UL94-V - IP65 (NEMA 4X)  |
| Field Calibration:          | By applying calibration gas standards  |
| Manufacturing Process:      | ISO9001  |



## Part number

**FX-CMS-D-LCD**

0-5/10 Vdc or 4-20 mA, LCD display