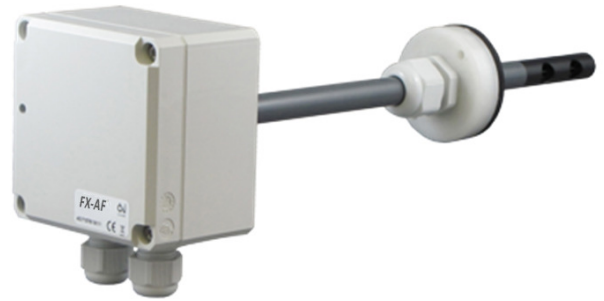


- >> Converts airspeed into a 4 – 20mA or 0 – 10 VDC signal
- >> Linear output signal
- >> Compensates for changes of air temperature
- >> Made with corrosion resistant material
- >> Fully electronic registration of airflow speed
- >> AC or DC voltage supply
- >> Telescopic sensor facilitates installation
- >> Temperature output signal 0 – 10 VDC
- >> Fuse protected



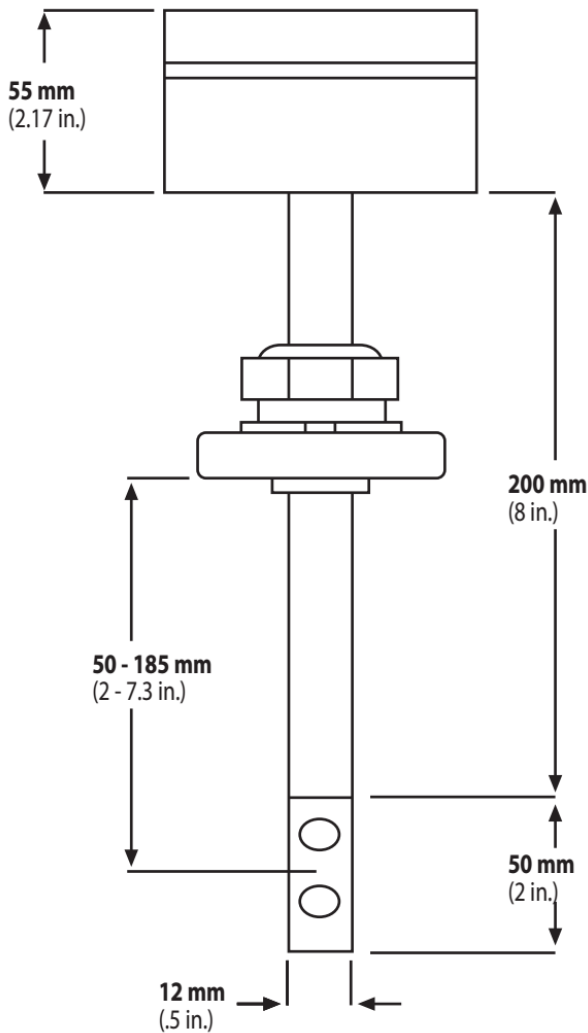
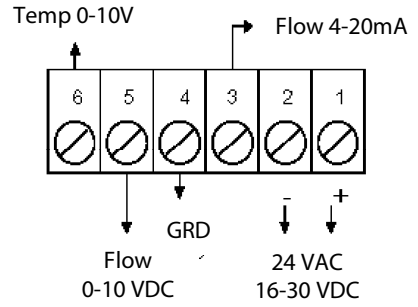
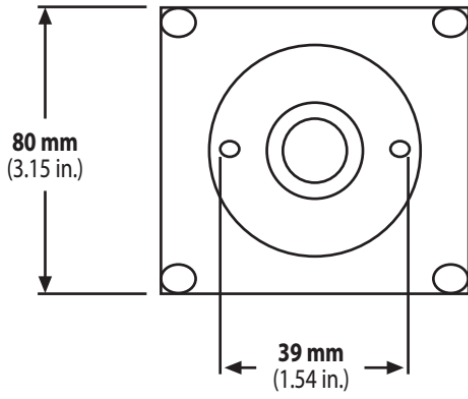
Airflow speed measurement

The FX-AFS duct airflow transmitter registers the airflow speed according to a thermal principle based on the fact that the cooling action of air increases with airspeed. The action is measured and converted to a 4 – 20mA or a 0 – 10 V signal corresponding to airflow speeds from 0 – 8 m/s (0 – 1575 ft/min) or 0 – 16 m/s (0 – 3150 ft/min).

Technical features

Airflow speed range:	0 - 8 m/s (1575 ft/min),
(By removing on-board jumper):	0 - 16 m/s (3150 ft/min)
Output signal (ow):	4 - 20mA, 0 - 10 VDC
Output signal (temperature):	0 - 10 VDC
Temperature range:	0 - 50°C (32°F - 122°F)
Air temperature:	-10°C - 60°C (14°F - 140°F)
Ambient temperature:	-20°C - 50°C (-4°F - 122°F)
Humidity range:	5 - 95% RH, non-condensing
AC voltage supply:	24 VAC (120mA)
DC voltage supply:	16 - 30 VDC (80mA)
Absolute accuracy:	±5 %
Rise time:	20 sec
Time constant:	5 sec
Depth of insertion in channel:	50 - 200 mm (2 - 8 in.)
Dimensions (H x W x D):	80 x 80 x 55 mm (3.15 x 3.15 x 2.17 in.)
Enclosure rating:	IP54
Country of Manufacture:	Denmark
Manufacturing Process:	ISO9001

*In order to maintain the published NEMA/IP ratings, properly rated conduit or cable gland adapters must be used.



Part number

FX-AFS

0 – 8/16 m/s converted to 0-10 V or 4-20 mA signal